

CÓDIGO :
CODE :

CLIENTE :
CUSTOMER :

OF :
DE :

FECHA :
DATE :

RELLENAR LOS SIGUIENTES CAMPOS Y MARCAR LAS CASILLAS CORRESPONDIENTES
FILL THE FOLLOWING FIELDS AND MARK THE RELATED BOXES

1 FURNITURE / MUEBLES

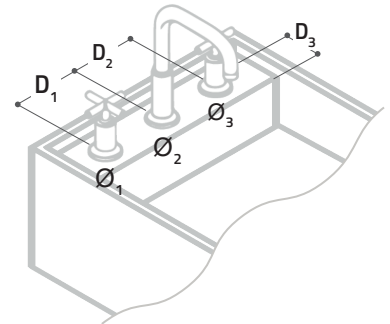
LAVABOS CERÁMICOS CERAMIC BASINS

BASINS LAVABOS		ORIFICIO GRIFERÍA TAP HOLE	
47	G.19 - 24*	<input type="checkbox"/>	<input type="checkbox"/>
	G.19 - 90	<input type="checkbox"/>	<input type="checkbox"/>
90	L.28	<input type="checkbox"/>	
	W.37	<input type="checkbox"/>	
120	A.71	<input type="checkbox"/>	<input type="checkbox"/>
	L.28	<input type="checkbox"/>	
	W.37	<input type="checkbox"/>	
240	A.71	<input type="checkbox"/>	<input type="checkbox"/>
	L.28	<input type="checkbox"/>	
	W.37	<input type="checkbox"/>	

BASINS + WOOD FURNITURE LAVABOS + MUEBLES DE MADERA		ORIFICIO GRIFERÍA TAP HOLE	
90	G.19 - 24 + UNIT	<input type="checkbox"/>	<input type="checkbox"/>
	L.28 + DRAWER	<input type="checkbox"/>	
	L.28 + FRAME	<input type="checkbox"/>	
	L.28 + LINE	<input type="checkbox"/>	
	L.28 + FRAME + LINE	<input type="checkbox"/>	
	W.37 + DRAWER	<input type="checkbox"/>	
	W.37 + LINE	<input type="checkbox"/>	
120	A.71 + CABINET	<input type="checkbox"/>	<input type="checkbox"/>
	A.71 + DRAWER	<input type="checkbox"/>	<input type="checkbox"/>
	A.71 + FRAME	<input type="checkbox"/>	<input type="checkbox"/>
	A.71 + LINE	<input type="checkbox"/>	<input type="checkbox"/>
	A.71 + FRAME + LINE	<input type="checkbox"/>	<input type="checkbox"/>
	L.28 + DRAWER	<input type="checkbox"/>	
	L.28 + FRAME	<input type="checkbox"/>	
	L.28 + LINE	<input type="checkbox"/>	
	L.28 + FRAME + LINE	<input type="checkbox"/>	
	W.37 + DRAWER	<input type="checkbox"/>	
W.37 + LINE	<input type="checkbox"/>		
240	A.71 + CABINET	<input type="checkbox"/>	<input type="checkbox"/>
	A.71 + DRAWER	<input type="checkbox"/>	<input type="checkbox"/>
	A.71 + FRAME	<input type="checkbox"/>	<input type="checkbox"/>
	A.71 + LINE	<input type="checkbox"/>	<input type="checkbox"/>
	A.71 + FRAME + LINE	<input type="checkbox"/>	<input type="checkbox"/>
	L.28 + DRAWER	<input type="checkbox"/>	
	L.28 + FRAME	<input type="checkbox"/>	
	L.28 + LINE	<input type="checkbox"/>	
	L.28 + FRAME + LINE	<input type="checkbox"/>	
	W.37 + DRAWER	<input type="checkbox"/>	
W.37 + LINE	<input type="checkbox"/>		

TAP GRIFERÍA

Ø₁ = cm
 Ø₂ = cm
 Ø₃ = cm
 D₁ = cm
 D₂ = cm
 D₃ = cm



2 FINISHED / ACABADO




ACABADO CERÁMICA CERAMIC FINISH

MODELO :
MODEL :



COLOR :
COLOUR :

* Disponibilidad solo formato 9mm. Todos los acabados son en natural.
* Availability only 9mm format. All finishes are natural.

COLOR MADERA WOOD COLOUR

NATURAL OAK 
 DARK OAK 
 DRY OAK 

TEXTURA MADERA WOOD TEXTURE

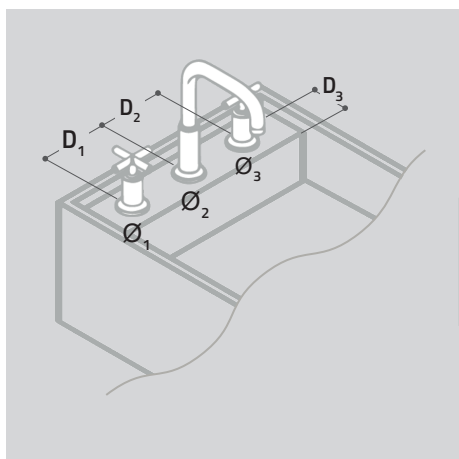
SHADOW 
 RIBBED 

3 OBSERVATIONS / OBSERVACIONES

T: +34 964 914 181 / F: +34 964 914 250
WWW.LIVINGCERAMICS.COM - COMERCIAL@LIVINGCERAMICS.COM

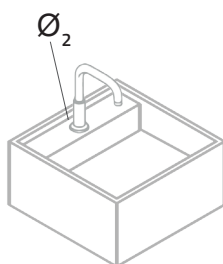
* Countertop basin Lavabo de sobreponer

TAP COMPOSITIONS
COMPOSICIONES DE GRIFERÍA

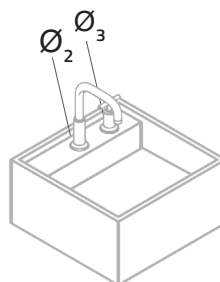


G.19.24 / G.19.90 BASIN
G.19.24 / G.19.90 LAVABO

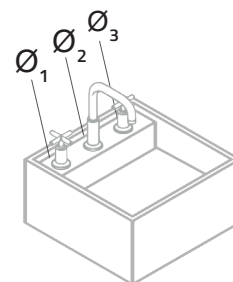
LAVATORY SPOUT
CAÑO DE LAVABO



SINGLE-LEVER MIXER
MONOMANDO

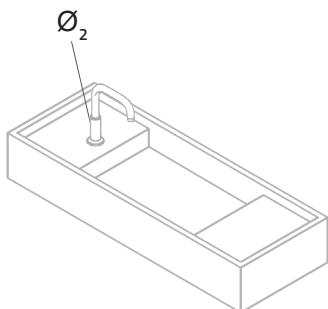


THREE-HOLES
UN CAÑO Y DOS MANDOS

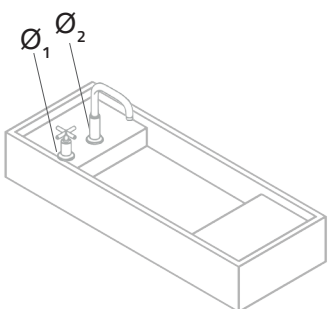


A.71.120 BASIN
A.71.120 LAVABO

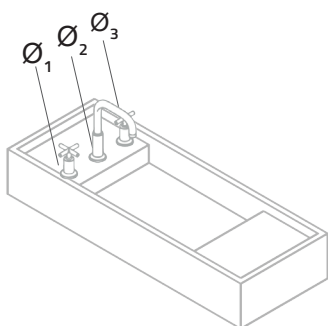
LAVATORY SPOUT
CAÑO DE LAVABO



SINGLE-LEVER MIXER
MONOMANDO

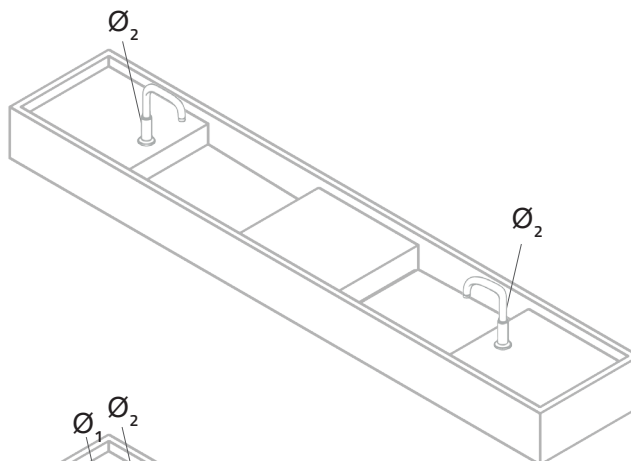


THREE-HOLES
UN CAÑO Y DOS MANDOS

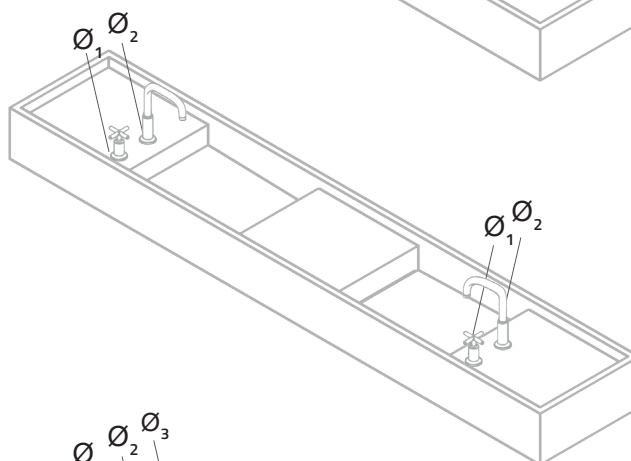


A.71.240 BASIN
A.71.240 LAVABO

LAVATORY SPOUT
CAÑO DE LAVABO



SINGLE-LEVER MIXER
MONOMANDO



THREE-HOLES
UN CAÑO Y DOS MANDOS

